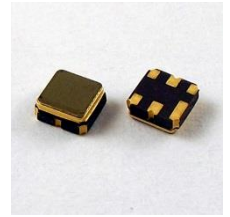


- Low-loss RF SAW filter for EGSM mobile systems
- Low amplitude ripple
- Usable passband 35MHz
- No matching network required for operation at 50Ω
- Ceramic package for Surface Mounted Technology (SMT)
- Lead-free production and RoHS compliant

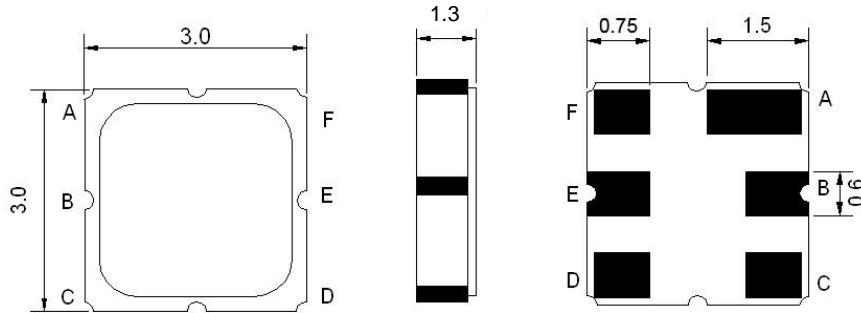


## Electrical Characteristics

MAXIMUM RATING				
PARAMETERS DESCRIPTION	UNIT	MINIMUM	TYPICAL	MAXIMUM
Operating Temperature Range	°C	-40	-	+85
Storage Temperature Range	°C	-40	-	+85
Maximum DC Voltage	V <sub>DC</sub>	-	-	12
Maximum Input Power Level	dBm	-	-	20
Source Impedance	Ω	-	50	-
Load Impedance	Ω	-	50	-
Length x Width	mm <sup>2</sup>	-	3.0 x 3.0	-
Height	mm	-	-	1.3

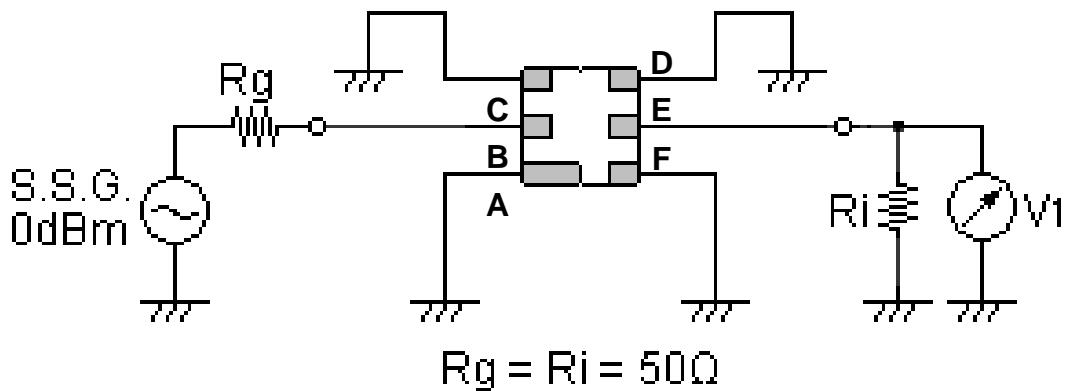
ELECTRICAL SPECIFICATION				
PARAMETERS DESCRIPTION	UNIT	MINIMUM	TYPICAL	MAXIMUM
Center Frequency (Fo)	MHz	-	942.5	-
Insertion Loss @ 925.00 ~ 960.00MHz	dB		2.2	2.7
Amplitude Ripple (p-p) @ 925.00 ~ 960.00MHz	dB		0.7	1.2
<b>Absolute Attenuation:</b>				
DC~ 880.00 MHz	dB	18	19.5	
880.00 ~ 905.00 MHz	dB	18	25	
905.00 ~ 915.00 MHz	dB	15	21	
980.00 ~ 1005.00 MHz	dB	20	25.5	
1005.00 ~ 1375.00 MHz	dB	18	21	
1375.00 ~ 1410.00 MHz	dB	20	21.5	
1410.00 ~ 3000.00 MHz	dB	20	22.5	
Input / Output VSWR @ 925.00 ~ 960.00MHz			2.3	2.5

## Package Dimensions



Pin Description	
B	Input
E	Output
A, C, D, F	Ground

## Testing Environment



## Frequency Characteristics

### Frequency Response

